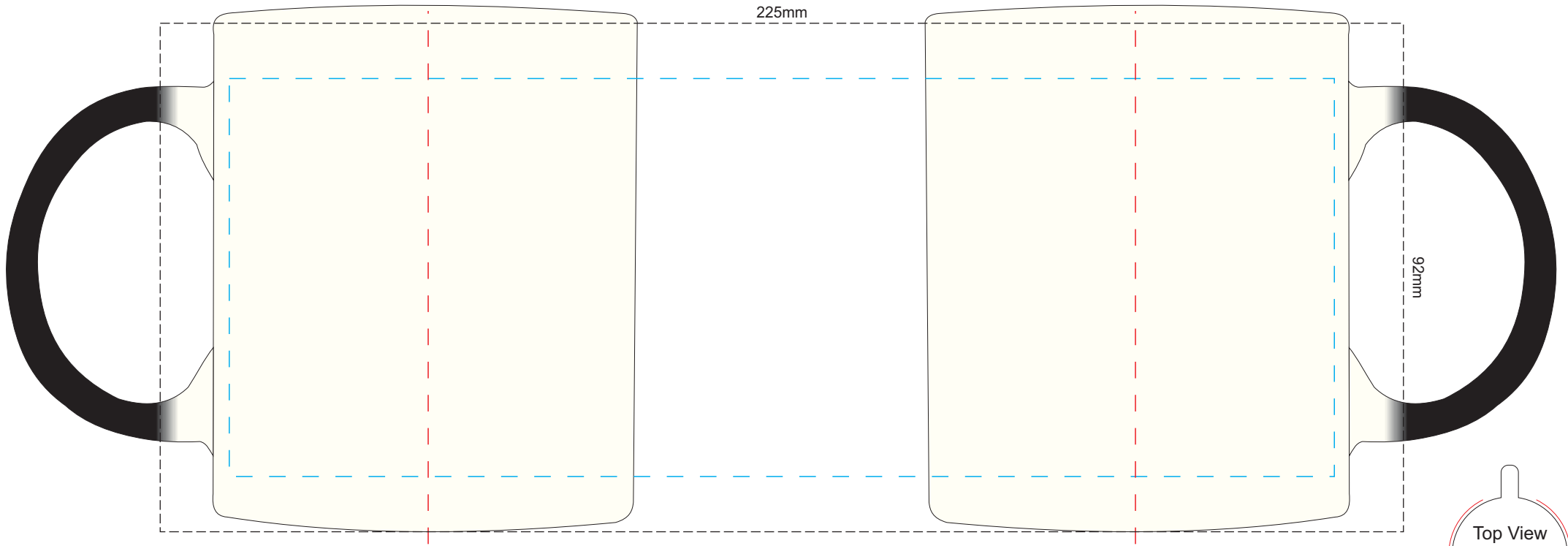


100% of Actual Size
Sublimation

225mm

92mm



Please note there will be a space between the top of the artwork and the lip of the mug. Bleeding artwork off the top is not possible.

QUALITY OF CERAMICS

Due to the inherent properties of ceramic ware produced by foreign manufacturers, there may be small imperfections or irregularities which should not be perceived as defective. Variations in materials, firing temperatures and colour pigments may result in variations in glaze and imprint colours. These variations must be considered acceptable.

Blue Line = The SIGNIFICANT PRINT AREA

(Keep all critical images & text within this box)

Black Line = Maximum print area

Red Line = Exact opposites of the product

(centre artwork to the red line)

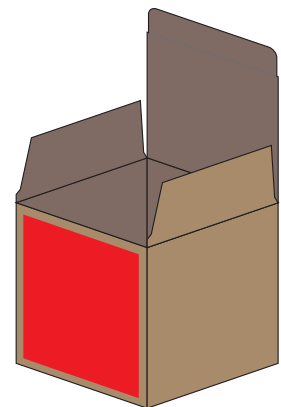
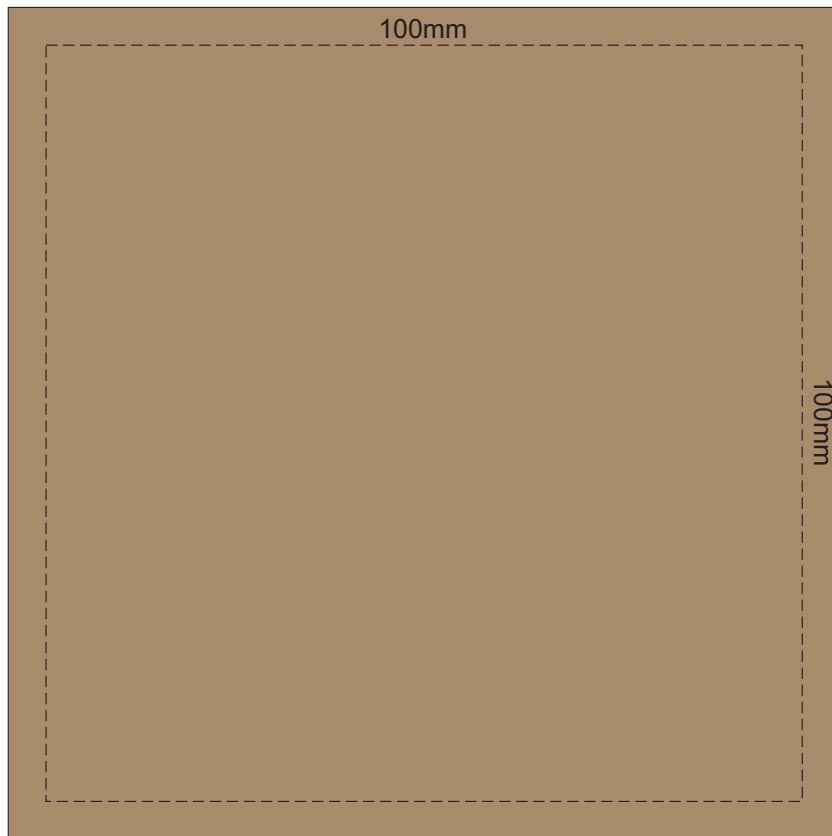
***NOTE: the Chameleon Mug appears dark until mug is hot.
Print will only be seen when mug is hot.***

100% of Actual Size
Pad Print



Top View
of
Print Area

100% of Actual Size
Digital Packaging Print

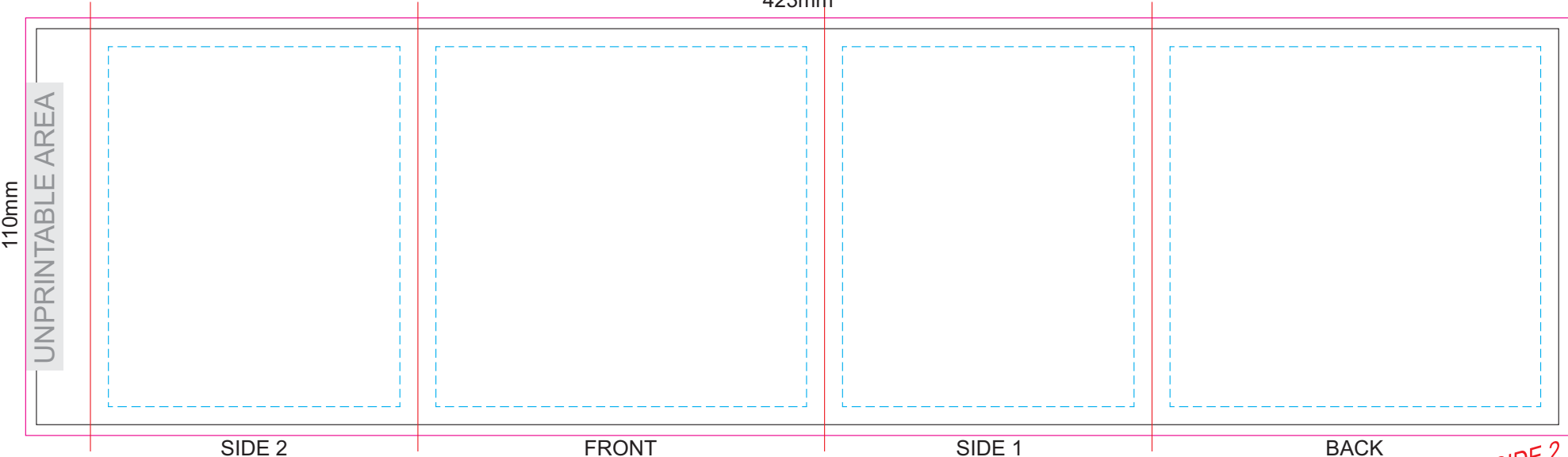


GIFT BOX
FRONT

Artwork will be printed directly onto the product via CMYK printing (no white), colours will not be vibrant due to white ink not being available for this process.

GIFT BOX SLEEVE

60% of Actual Size
Digital Print
423mm



SIDE 2

FRONT

SIDE 1

BACK

Blue Line = The SIGNIFICANT PRINT AREA
(Keep all critical images & text within this box)
Black Line = Maximum print area
Pink Line = Bleed off to here
Red Line = Fold Line

